

SUKKAH CONSTRUCTION

COMPONENT FABRICATION FIGURES

Cut Top Rails and Extension Blocks

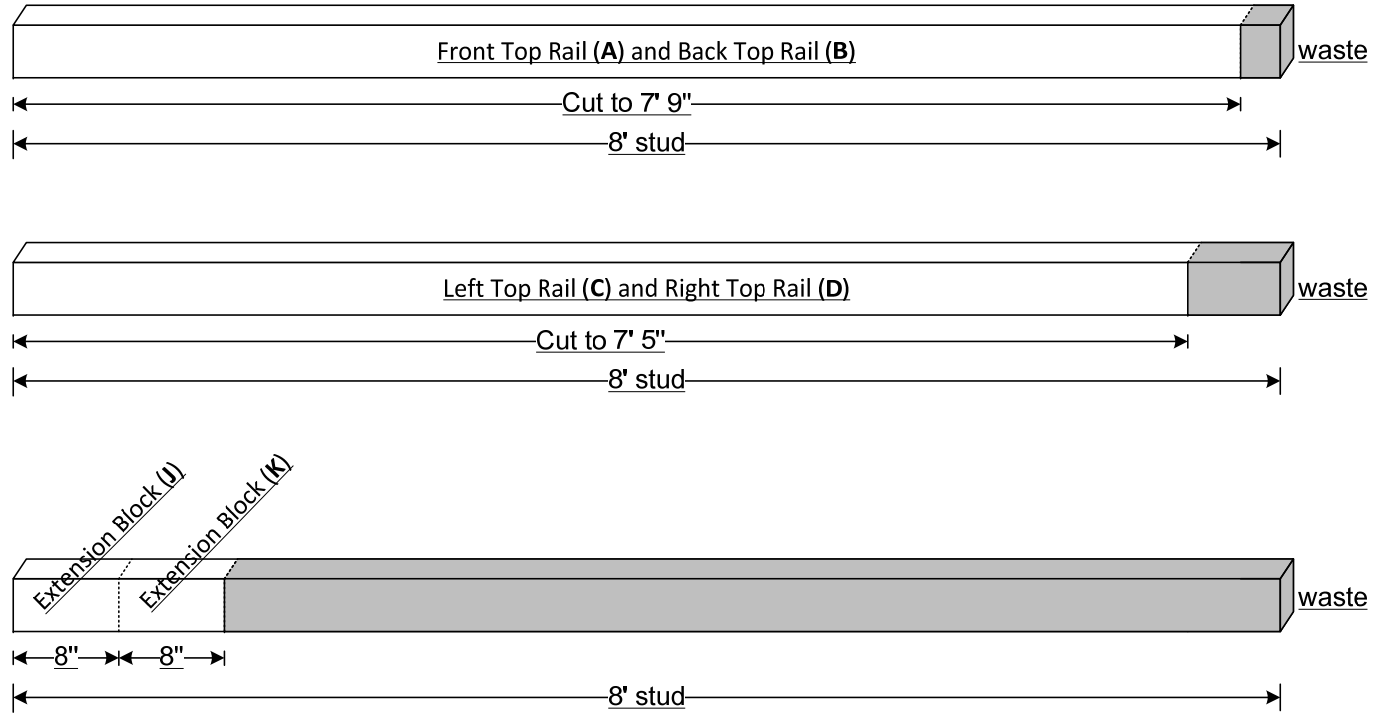


Figure #1

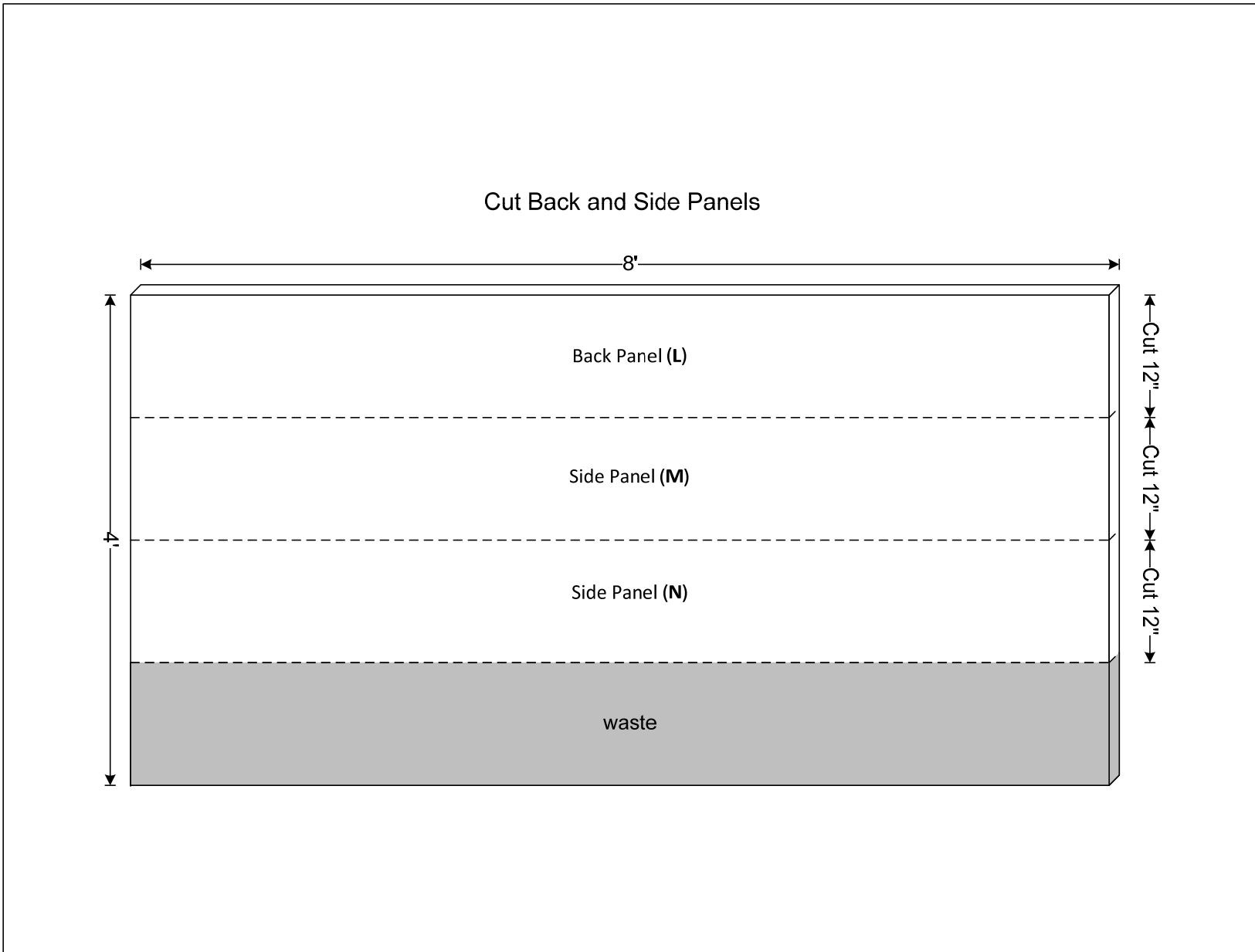


Figure #2

Cut Diagonal Stabilizers (Z)

Cut at center point

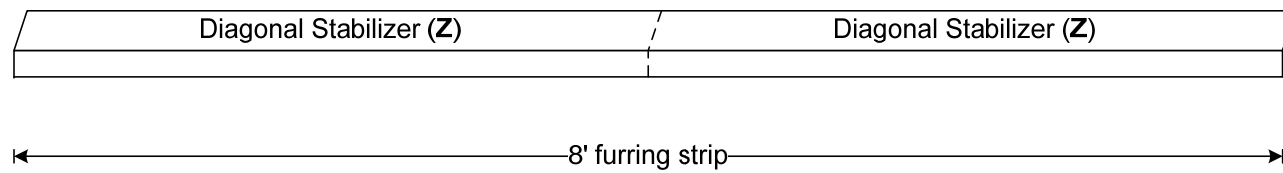


Figure #3

Attach the Simpson Strong Corner Ties to the Corner Posts

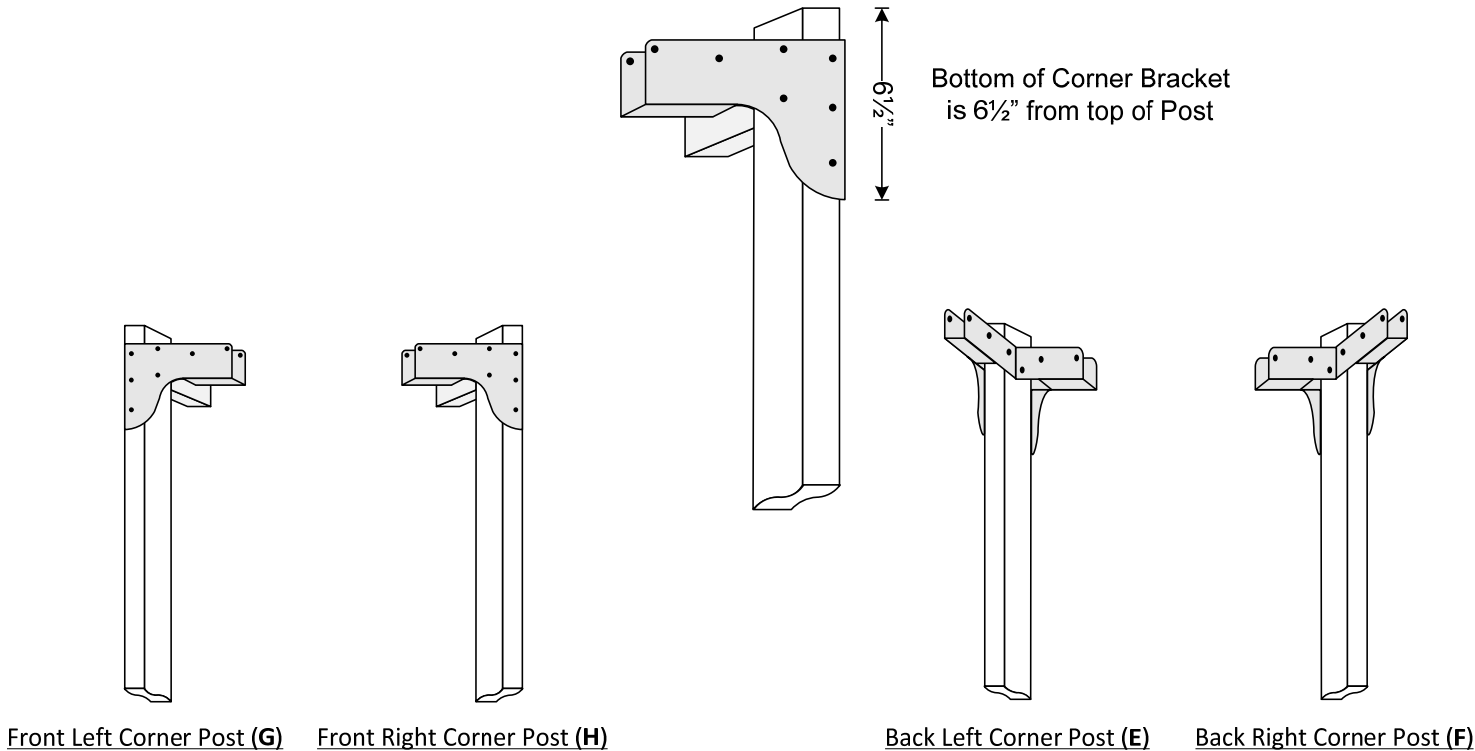
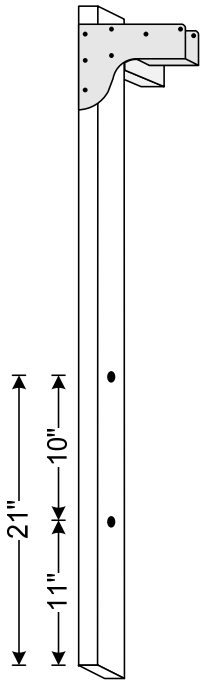
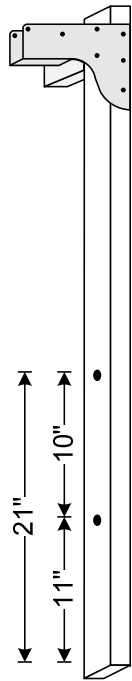


Figure #4

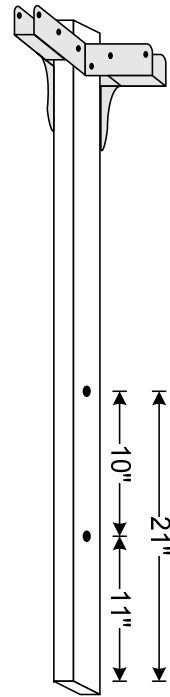
Drill holes in the Corner Posts



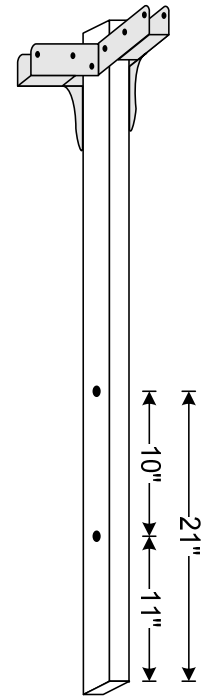
Front Left Corner Post (G)



Front Right Corner Post (H)



Back Left Corner Post (E)



Back Right Corner Post (F)

Figure #5

Drill holes in Extension Block (J) and Extension Block (K)

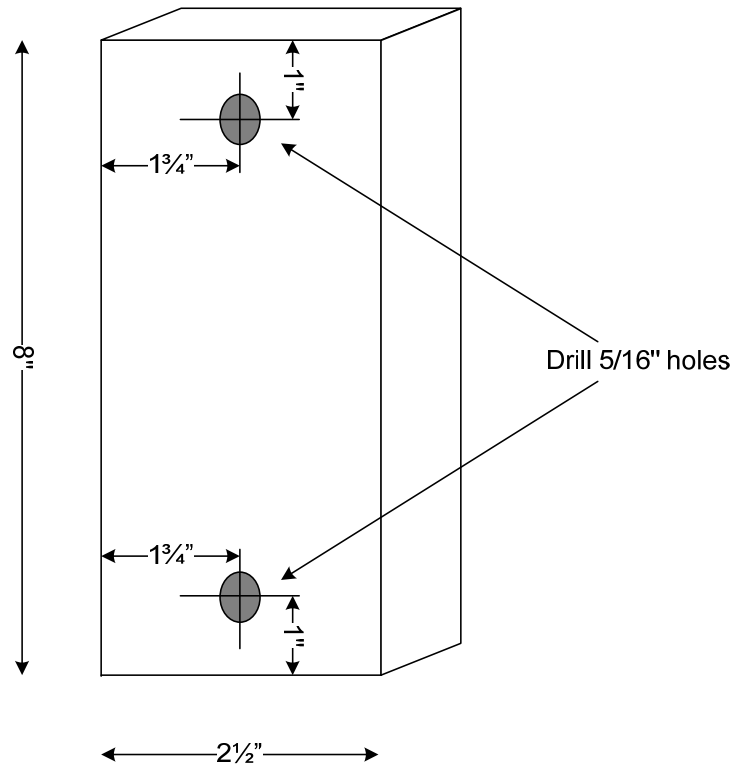


Figure #6

Attach Extension Block (J) to Back Left Corner Post (E)

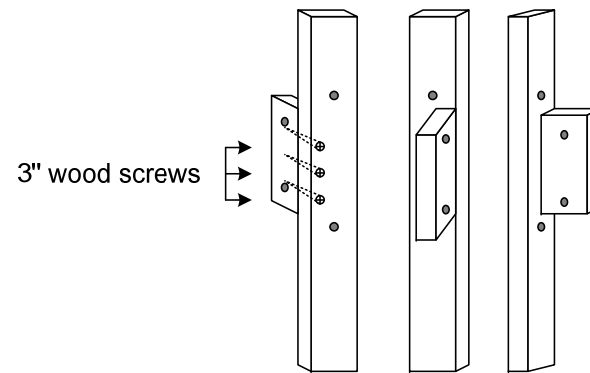


Figure #7

Attach Extension Block (K) to Back Right Corner Post (F)

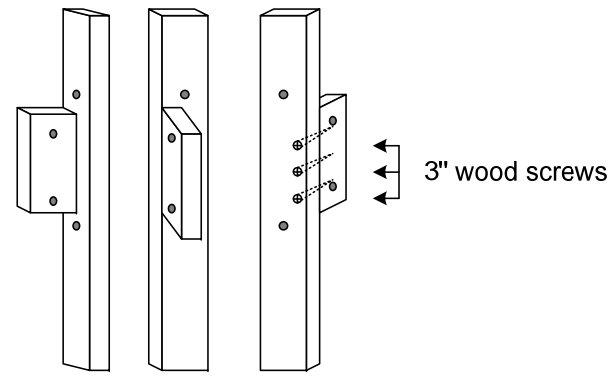


Figure #8

Drill holes in Right Side Panel (N)

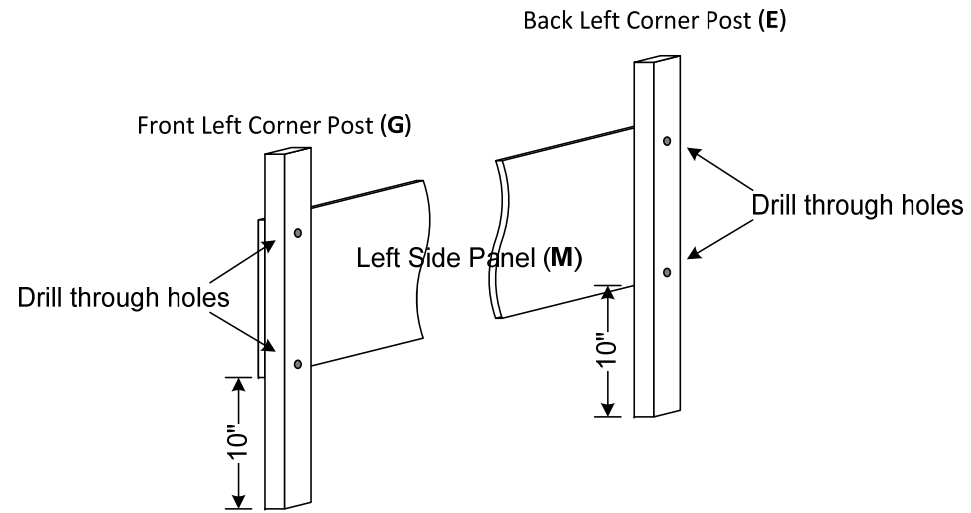


Figure #9

Drill holes in Right Side Panel (N)

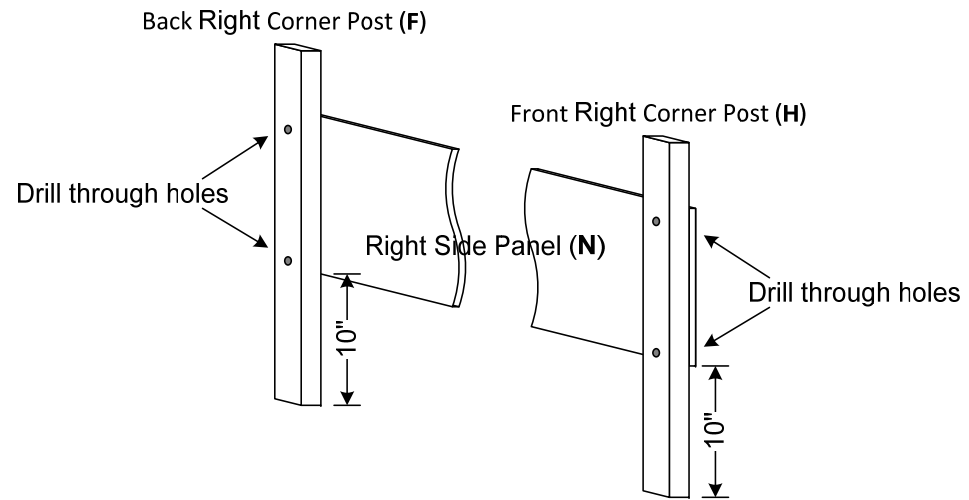


Figure #10

Drill holes in the Back Panel (L)

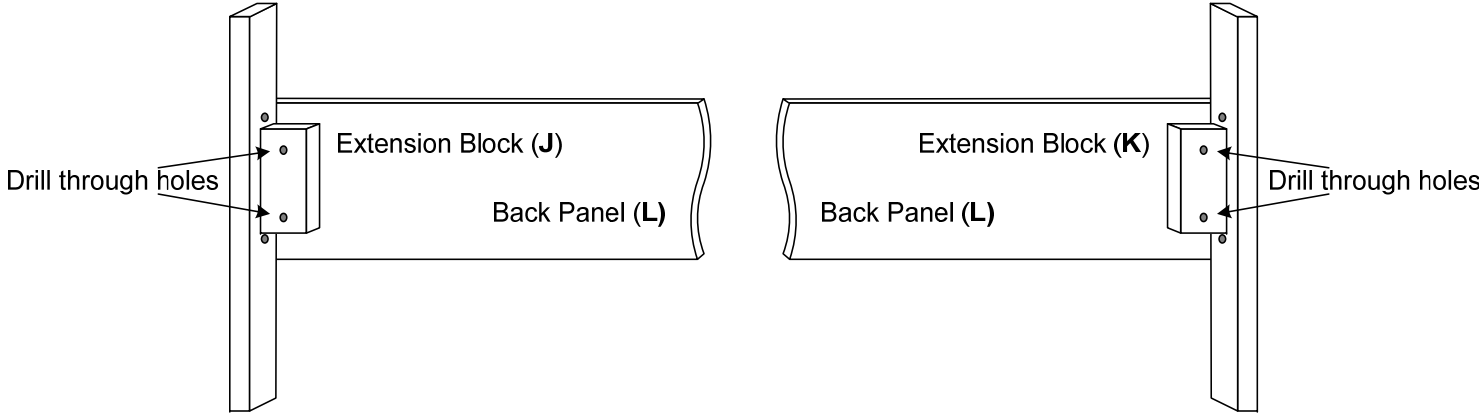


Figure #11

Drill holes for fastening the Roof Strut Stabilizers to the Corner Posts

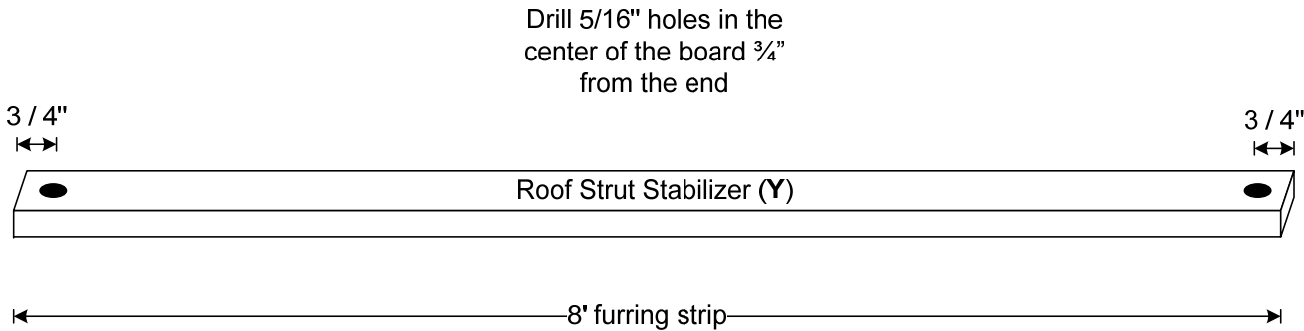


Figure #12

Notch Roof Struts (X)

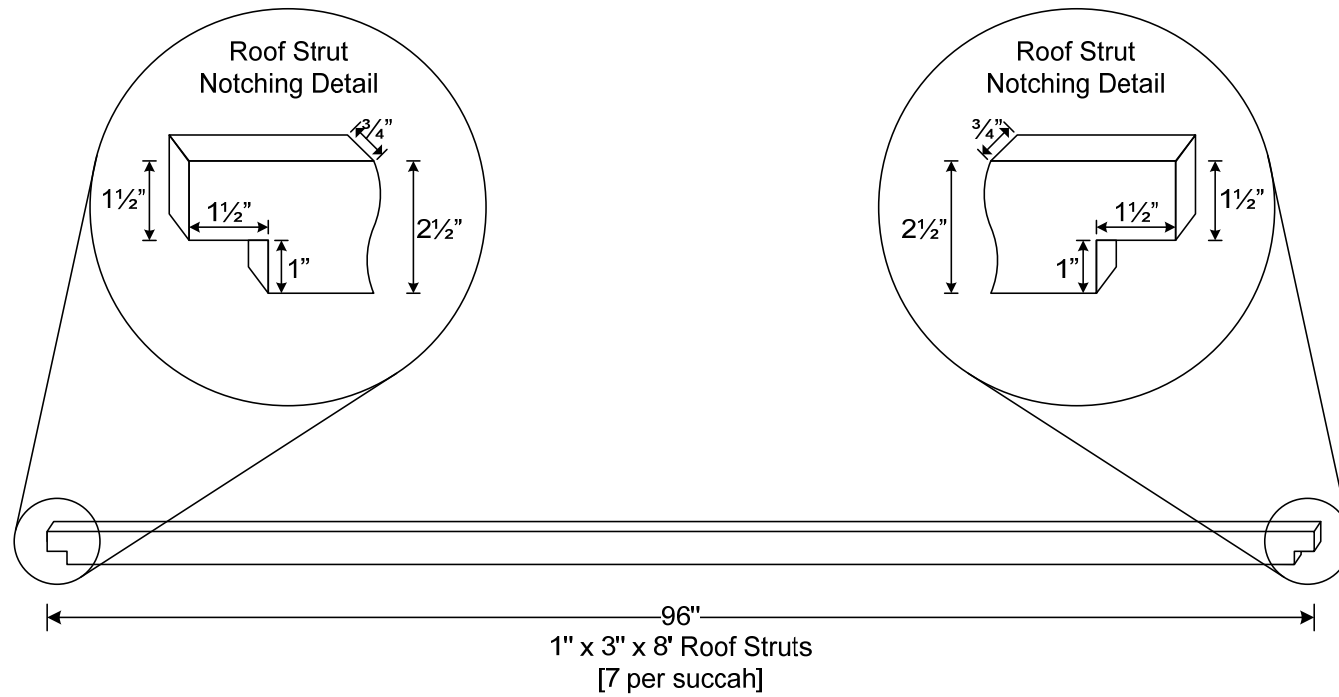


Figure #13

Slot the Front and Back Top Rails

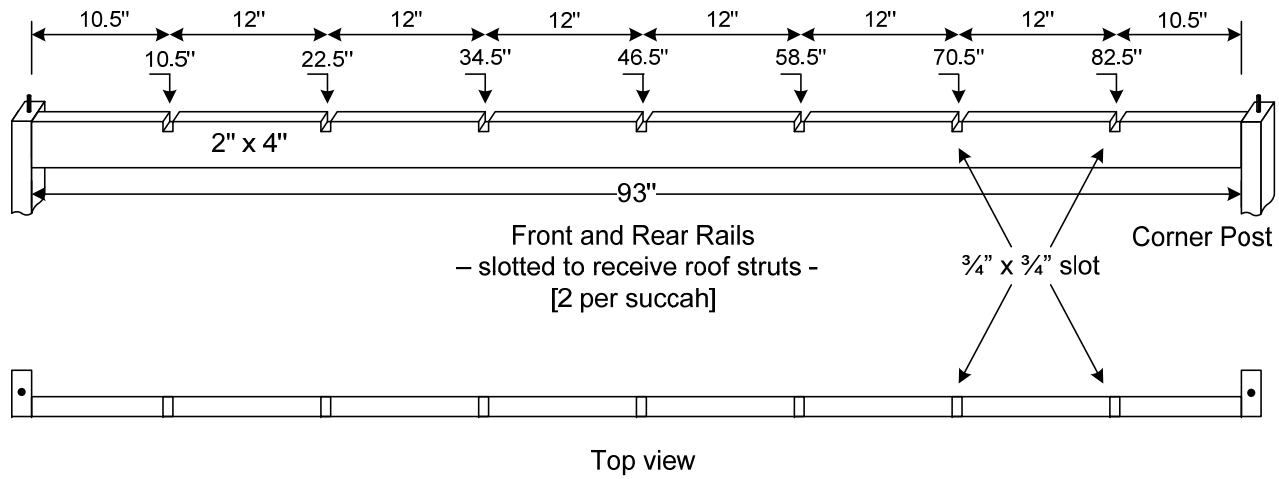


Figure #14

Drill holes in Corner Posts for Hanger Bolts

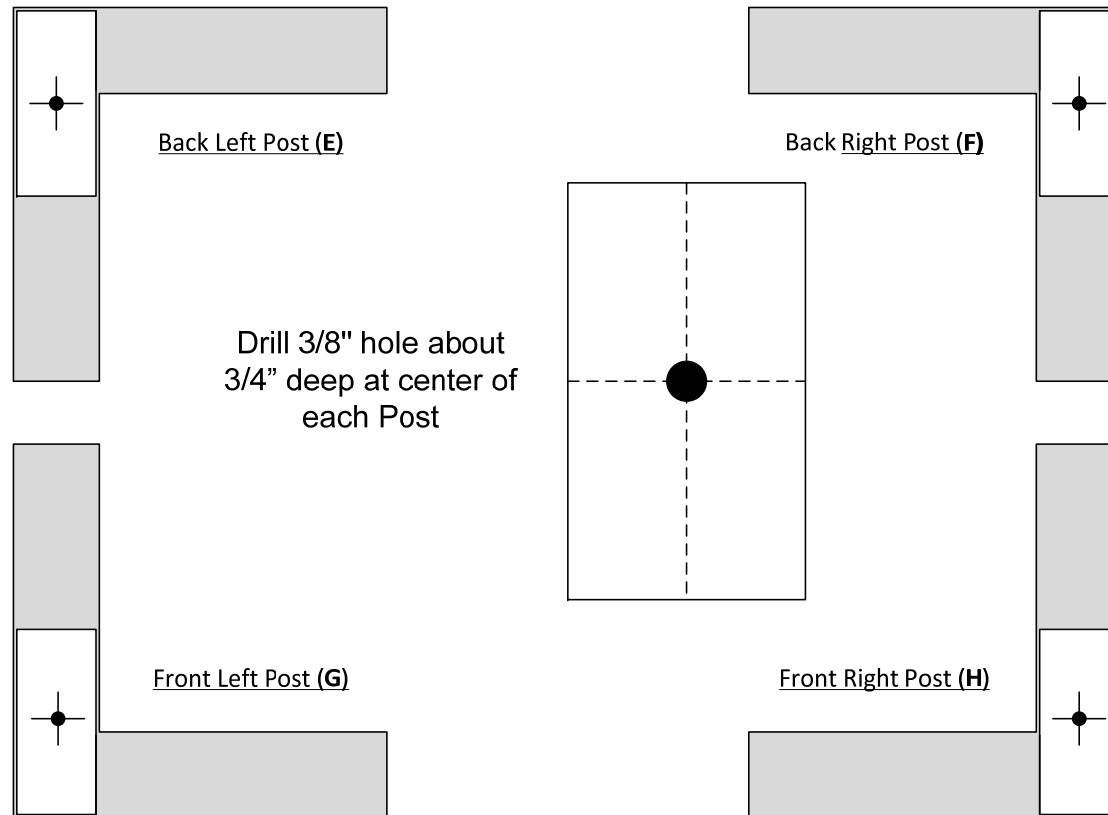


Figure #15

How to insert the Hanger Bolts

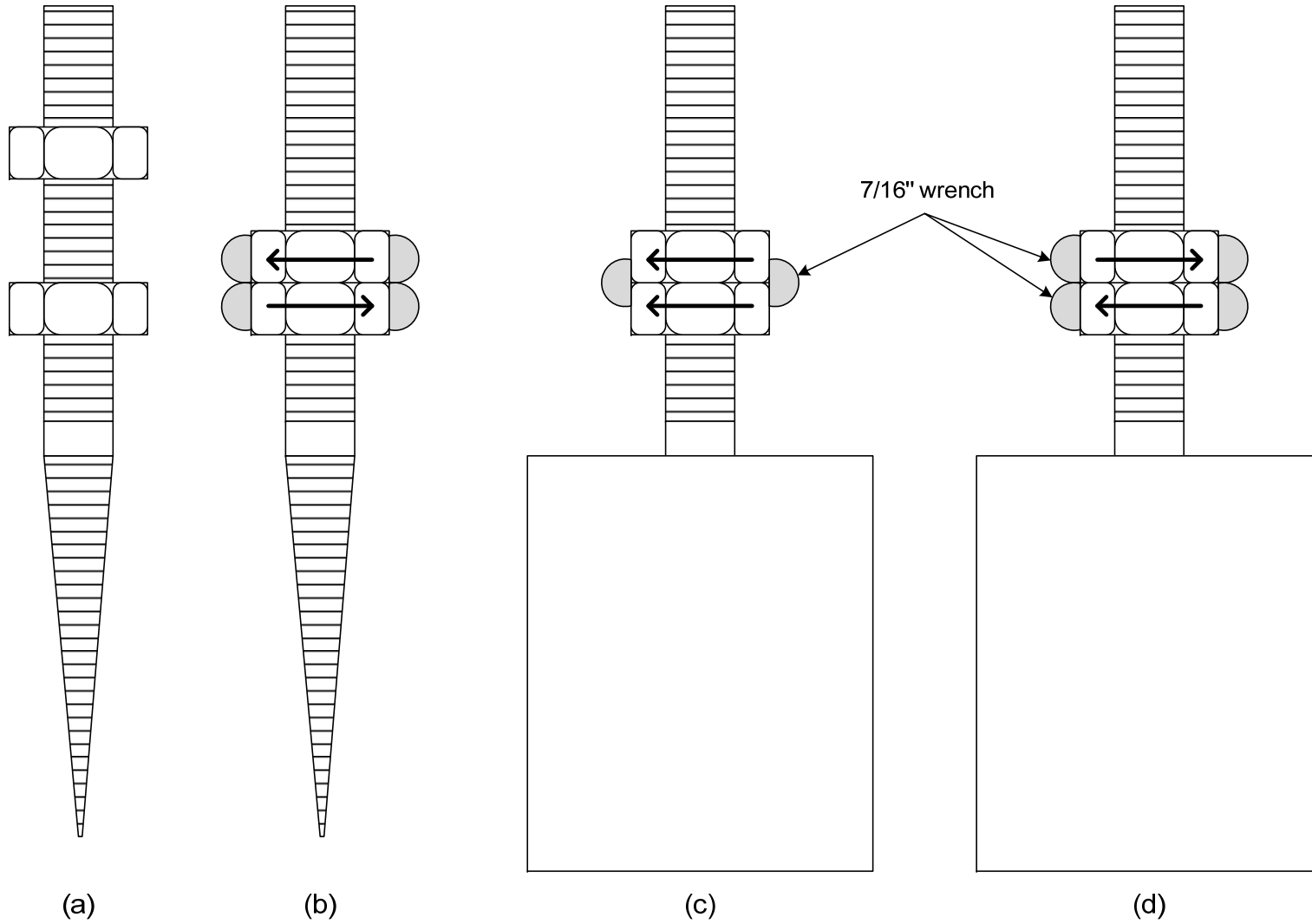


Figure #16